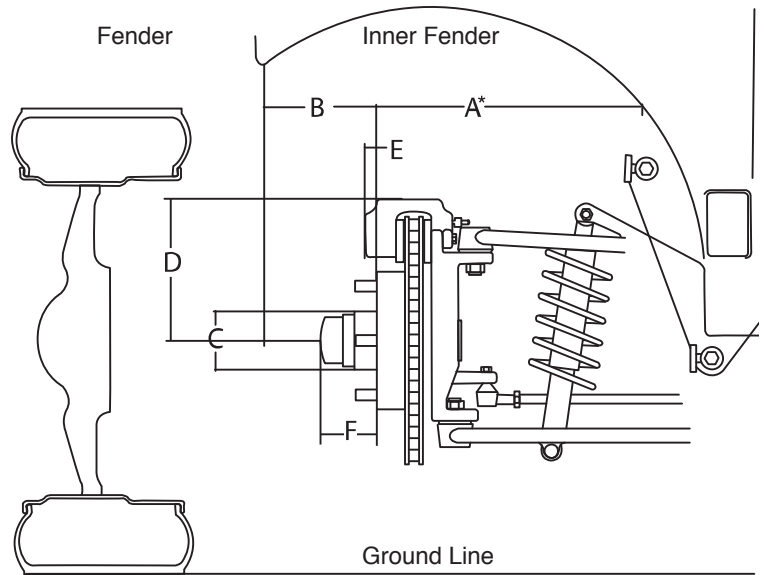


### Front Wheel Sections

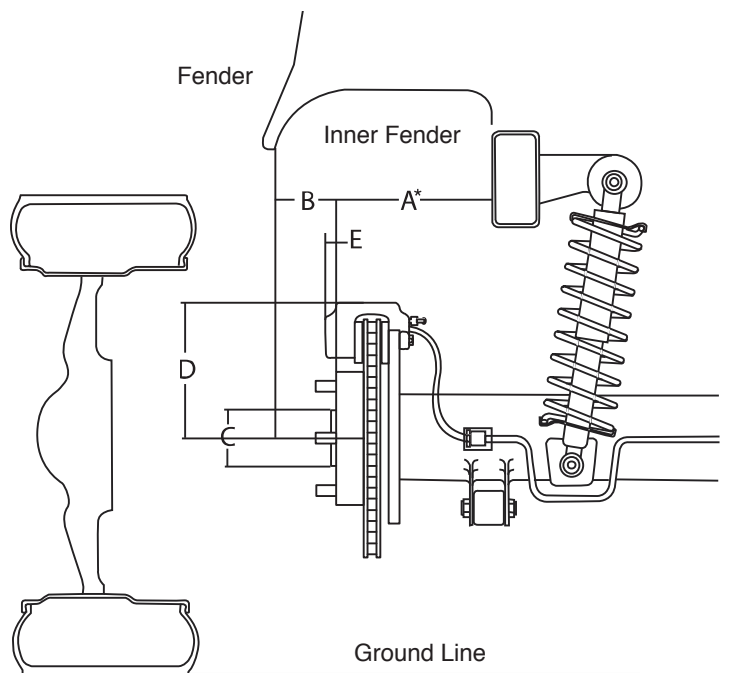
	Driver Side	Passenger Side
A.) Mounting surface to first obstruction frame side*	_____	_____
B.) Mounting surface to fender	_____	_____
C.) Hub Diameter	_____	_____
D.) Brake Diameter: Center to top of caliper x 2	_____	_____
E.) Protrusion of caliper past mounting surface	_____	_____
F.) Hub Length	_____	_____
Fender height from center of hub	_____	
Current wheel size _____ Backspace _____ Bolt pattern _____		



Current tire size \_\_\_\_\_ \*First obstruction that wheel and tire may come in contact with

### Rear Wheel Sections

	Driver Side	Passenger Side
A.) Mounting surface to first obstruction frame side*	_____	_____
B.) Mounting surface to fender	_____	_____
C.) Hub Diameter	_____	_____
D.) Brake Diameter: Center to top of caliper x 2	_____	_____
E.) Protrusion of caliper past mounting surface	_____	_____
Fender height from center of hub	_____	
Current wheel size _____ Backspace _____		
Current tire size _____ Bolt pattern _____		



\*First obstruction that wheel and tire may come in contact with

Wheel fitments derived from this form are based on your measurements and are strictly suggested sizes. It is crucial that you review all fitment information before ordering your wheels. Wheel Pros is not responsible for errors in special fitments.

Contact your local authorized dealer - [customshop@wheelpros.com](mailto:customshop@wheelpros.com)